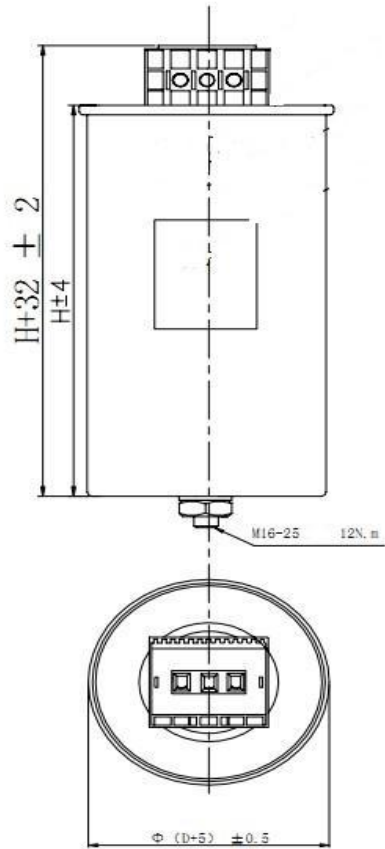


Three phase capacitors: 450 V, 50 Hz, MKP, Cylindrical

Type	Rated Voltage	Rated Capacitance	Rated Current	Dimension	QTY	Terminal type
	(V)	(KVAR)	(A)	D*H (mm)		
BKMJ0.45-5-3	450	5	6.4	Φ65*240-M12*16	13	A
BKMJ0.45-7.5-3	450	7.5	9.6	Φ65*240-M12*16	13	A
BKMJ0.45-10-3	450	10	12.8	Φ65*240-M12*16	13	A
BKMJ0.45-15-3	450	15	19.2	Φ76*240-M12*16	9	A
BKMJ0.45-20-3	450	20	25.7	Φ86*240-M12*16	9	A
BKMJ0.45-22-3	450	22	28.2	Φ96*240-M16*25	6	B
BKMJ0.45-25-3	450	25	32.0	Φ96*240-M16*25	6	B
BKMJ0.45-30-3	450	30	38.5	Φ106*240-M16*25	6	B
BKMJ0.45-35-3	450	35	44.9	Φ106*280-M16*25	6	B
BKMJ0.45-40-3	450	40	51.3	Φ106*280-M16*25	6	B



B Type

Technical data:

Temperature category: -25°C-50°C

Discharge resistors: 75 V/ 3 min

Dielectric: MKP - metallized PP film

Design: dry type, non PCB

Standard: IEC 60831