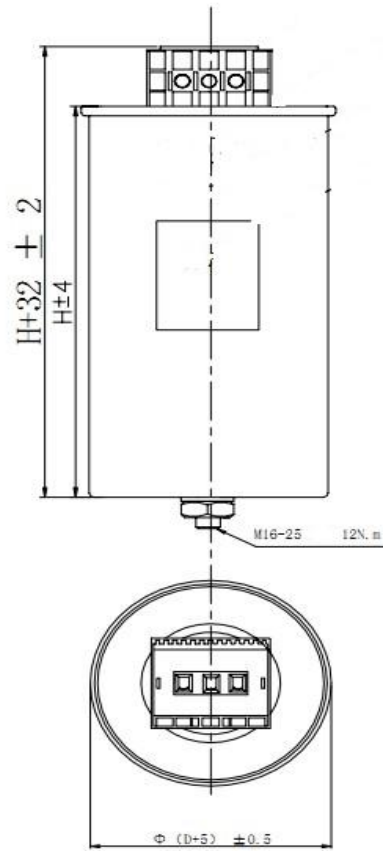


A Type

Three phase capacitors: 480 V, 50 Hz, MKP, Cylindrical

Type	Rated Voltage	Rated Capacitance	Rated Current	Dimension	QTY	Terminal type
	(V)	(KVAR)	(A)	D*H (mm)		
BKMJ0.48-5-3	480	5	6.0	Φ65*240-M12*16	13	A
BKMJ0.48-7.5-3	480	7.5	9.0	Φ65*240-M12*16	13	A
BKMJ0.48-10-3	480	10	12.0	Φ76*240-M12*16	9	A
BKMJ0.48-15-3	480	15	18.0	Φ86*240-M12*16	9	A
BKMJ0.48-20-3	480	20	24.0	Φ96*240-M16*25	6	A
BKMJ0.48-22-3	480	22	26.5	Φ96*240-M16*25	6	B
BKMJ0.48-25-3	480	25	30.0	Φ106*240-M16*25	6	B
BKMJ0.48-30-3	480	30	36.0	Φ116*240-M16*25	6	B
BKMJ0.48-35-3	480	35	42.0	Φ116*280-M16*25	6	B
BKMJ0.48-40-3	480	40	48.1	Φ116*280-M16*25	6	B



B Type

Technical data:

Temperature category: $-25^{\circ}\text{C}-50^{\circ}\text{C}$

Discharge resistors: $75 \text{ V} / 3 \text{ min}$

Dielectric: MKP - metallized PP film

Design: dry type, non PCB

Standard: IEC 60831