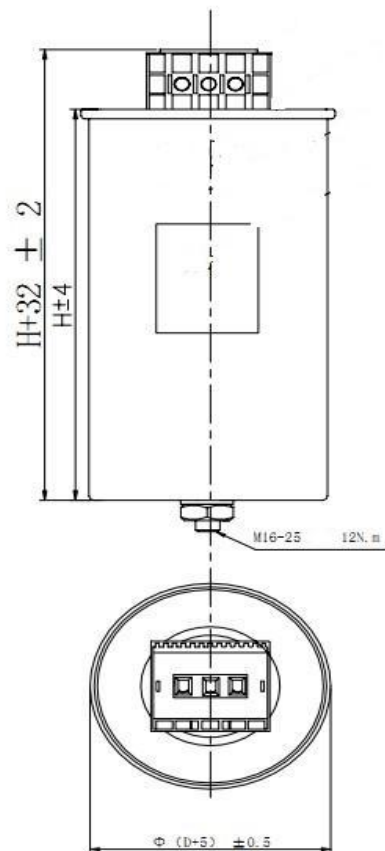


A Type

Three phase capacitors: 525 V, 50 Hz, MKP, Cylindrical

Type	Rated Voltage	Rated Capacitance	Rated Current	Dimension	QTY	Terminal type
	(V)	(KVAR)	(A)	D*H (mm)		
BKMJ0.525-5-3	525	5	5.5	Φ65*240-M12*16	13	A
BKMJ0.525-7.5-3	525	7.5	8.2	Φ65*240-M12*16	13	A
BKMJ0.525-10-3	525	10	11.0	Φ76*240-M12*16	9	A
BKMJ0.525-15-3	525	15	16.5	Φ86*240-M12*16	9	A
BKMJ0.525-18-3	525	18	19.8	Φ96*240-M16*25	9	A
BKMJ0.525-20-3	525	20	22.0	Φ96*240-M16*25	6	A
BKMJ0.525-22-3	525	22	24.2	Φ96*240-M16*25	6	B
BKMJ0.525-25-3	525	25	27.5	Φ106*240-M16*25	6	B
BKMJ0.525-30-3	525	30	33.0	Φ116*240-M16*25	6	B
BKMJ0.525-35-3	525	35	38.5	Φ116*280-M16*25	6	B



B Type

Technical data:

Temperature category: $-25^{\circ}\text{C}-50^{\circ}\text{C}$

Discharge resistors: $75 \text{ V} / 3 \text{ min}$

Dielectric: MKP - metallized PP film

Design: dry type, non PCB

Standard: IEC 60831